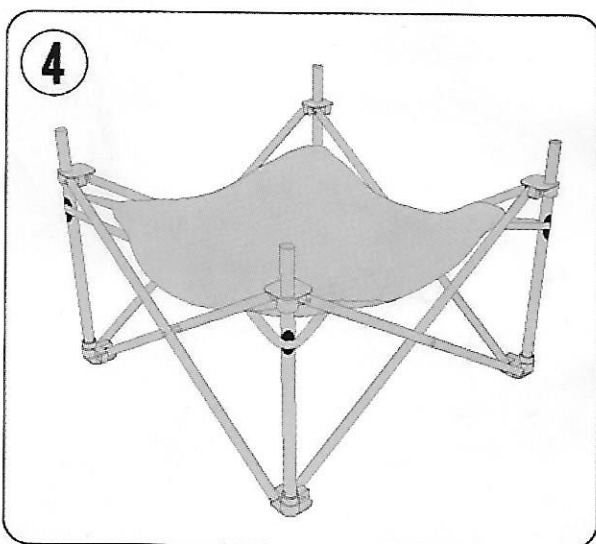
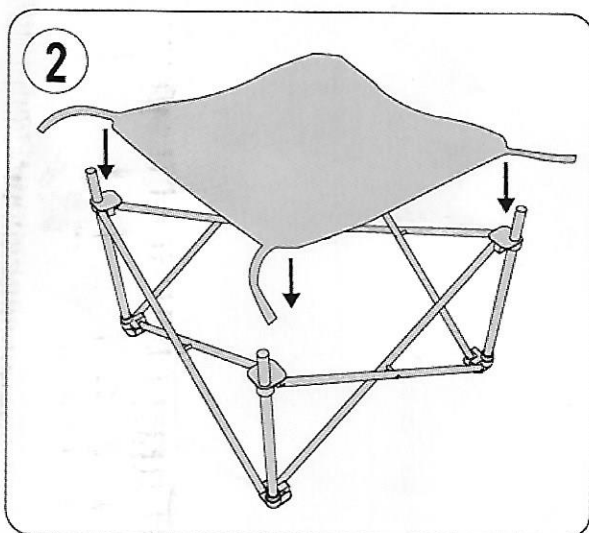
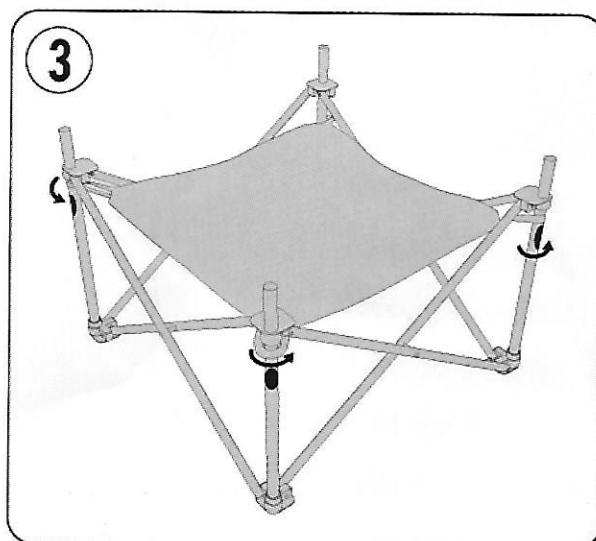
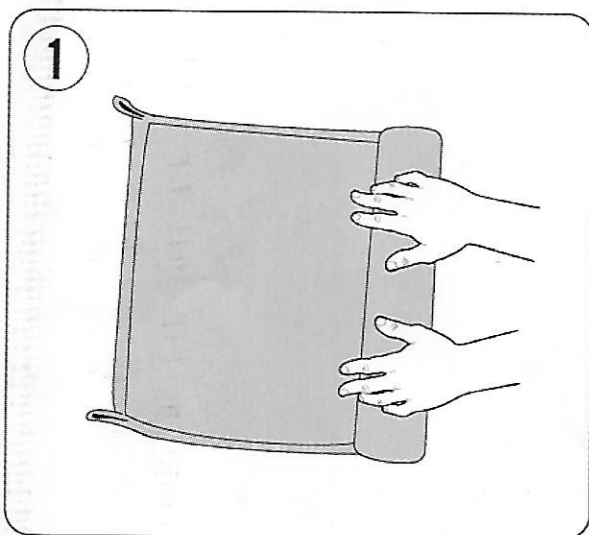


# HEAT SHIELD INSTRUCTIONS



The Pop-Up Pit Heat Shield must attach to each of the four posts roughly **1" below the aluminum connectors** as shown in Figure 4. Included in your kit are four (4) temporary Velcro position markers. These will act as guides for attaching the heat shield until you are familiar with its use. Clean the area with included alcohol swabs prior to sticking tabs.

These position markers are not necessary for proper use.

**Warning:** If the center of the Heat Shield is less than 3" below the center of the Fire Mesh the heat shield will become compromised and delaminate

For More Information Visit: [www.FiresideOutdoor.com](http://www.FiresideOutdoor.com)

623-207-9333